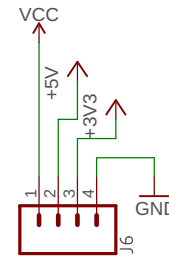
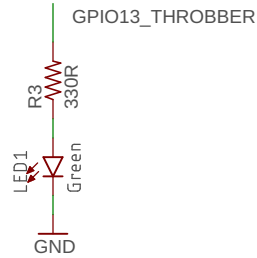
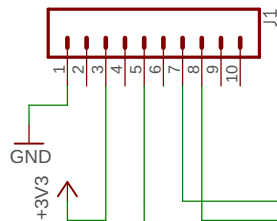
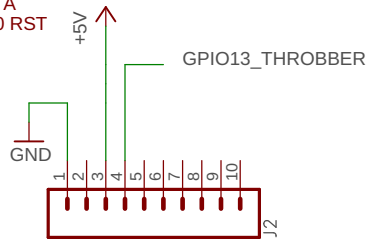


- J2:
 1 GND
 2 Vbat
 3 V+
 4 GPIO13 -- Throbber
 5 GPIO12
 6 GPIO14
 7 GPIO16
 8 EN
 9 A
 10 RST



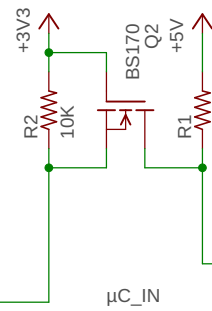
J6 is 4-pin connector is test points for board power

Notes:
 o Adafruit Huzzah is 3.3V logic, but is 5V tolerant
 o 3.5-16VDC power can be applied to V+ or Vbatt



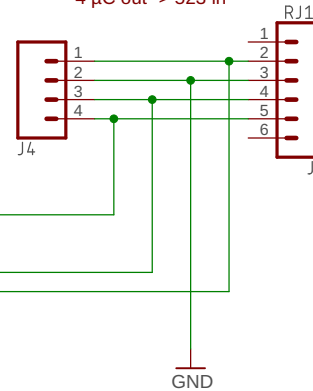
- J1:
 1 GND
 2 LDO
 3 3.3V
 4 GPIO15
 5 GPIO2 -- Zero crossing
 6 GPIO0
 7 GPIO4 -- μ C out / TW523 in
 8 GPIO5 -- TW523 out / μ C in
 9 RX
 10 TX

bidirectional level shifter



Two symbols - there wasn't a 4-pin RJ11 model - the 6-pin RJ11 connector for board placement (ignore pins 1 and 6), the 4-pin connector to properly label the pins...

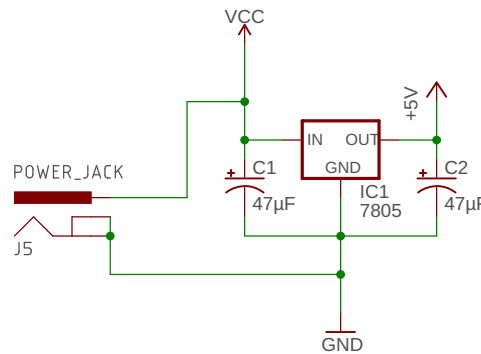
- 1 Zero crossing
 2 GND
 3 μ C in <- 523 out
 4 μ C out -> 523 in



Wire colors

Vcc orange
 5V red
 3.3v grey
 GND black

μ C in yellow
 μ C out blue
 523 in green
 ZC white



Charles B. Malloch, PhD
 2018-08-16

TITLE: X10_Huzzah

Document Number:

REV:
 1.0

Date: 8/29/18 10:03 AM

Sheet: 1/1